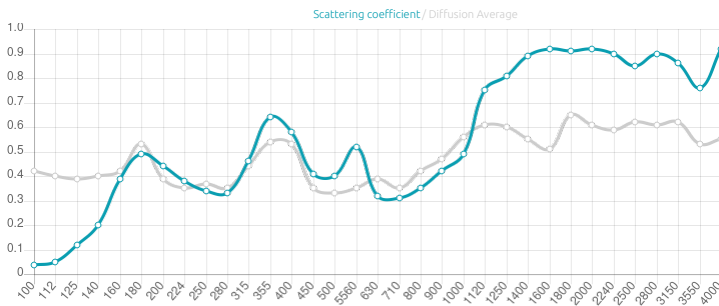
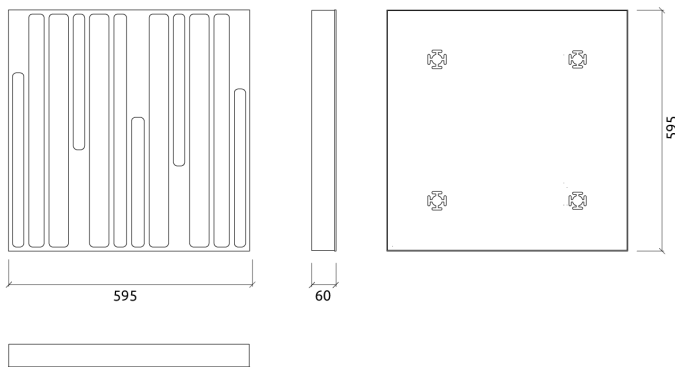




Performance



Technical Information



Features

Type: 1D - QRD Diffuser

Scattering range: 160 Hz to 4000 Hz

Available fire rate:
FG | Furniture Grade

Materials:
- Natural wood veneer | Lacquered HMDF
- HMDF and plywood structure

Integrated fixing system | panel can be rotated 90° to any orientation.

Dimensions:

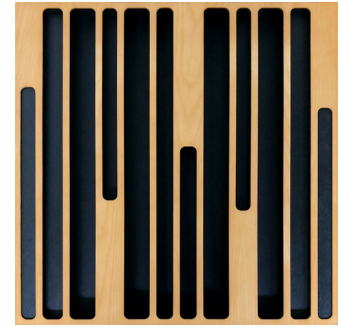
FG - LW | 595x595x60mm | 4.06 Kg
FG - NW | 595x595x60mm | 4.06 Kg

Diffusion is a prime component of any balanced acoustic treatment.

Aries Diffuser was designed using various diffusion techniques – inspired from traditional numeric sequence diffusers, it is composed of asymmetrical multi-depth wells, in which specific wells use a folded-depth technique to boost the mid-low diffusion range of the panel.

Whilst the panel itself is only 60mm thick, the extended wells on the diffuser are designed to be effective at 160 Hz and 400 Hz, with a linear diffusion pattern from 700Hz upwards – providing Aries diffuser an unheard-of diffusion capacity for its size.

The asymmetric wells are arranged in an optimised sequence to prevent lobing when used in larger arrays – in this, in combination with the extended low-range diffusion, make Aries go lower and outperform any other diffuser in its class – a truly unique approach to diffusion techniques, and a clear advance in performance over the traditional QRD design.



Product finishes

(FG - LW) Lacquered Wood Finishes



FG | (L01) Blanc



FG | (L02) Noir



FG | (L03) Rouge



FG | (L05) Silver



FG | (L06) Noir Vintage



FG | (L07) Graphite Black



FG | (L08) Rose Gold



FG | (L09) Classic Gold



FG | (L10) Bronze

(FG - NW) Natural Wood Finishes



FG | (W01) Cerise



FG | (W02) Marron



FG | (W03) Wenge



FG | (W04) Fagus | Fagus Interior

Purpose

- Enlarging sweet spot
- Specular reflection control
- Flutter echo control

Recommended for

- Control room
- Recording room
- Home studio
- Broadcast studio
- Drum room